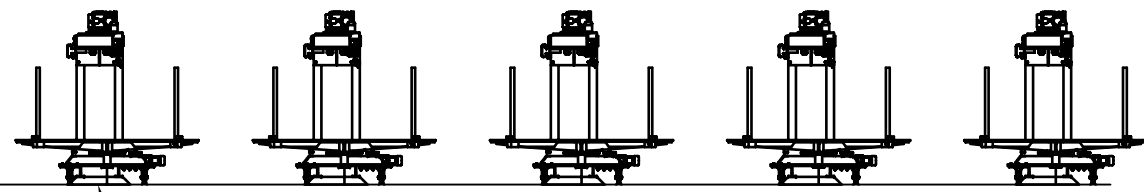
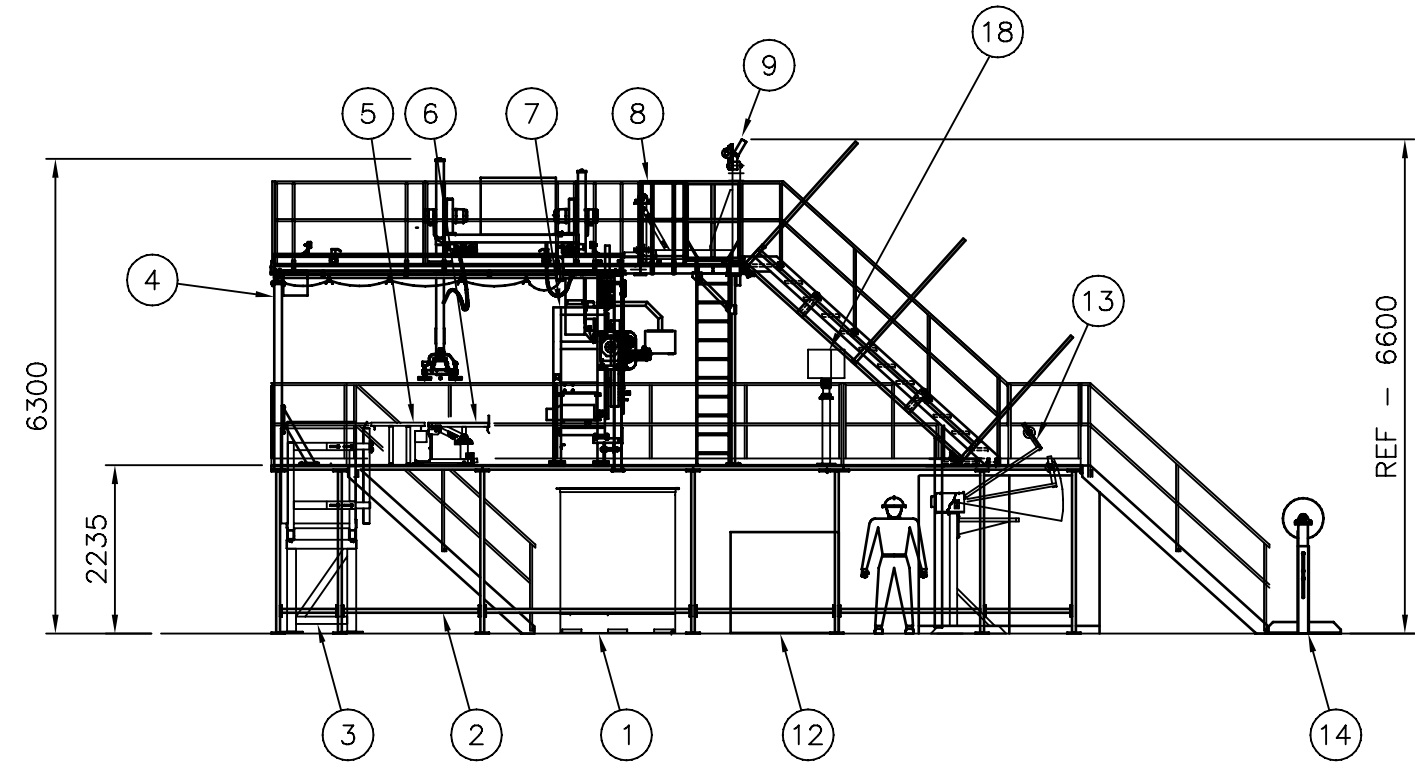
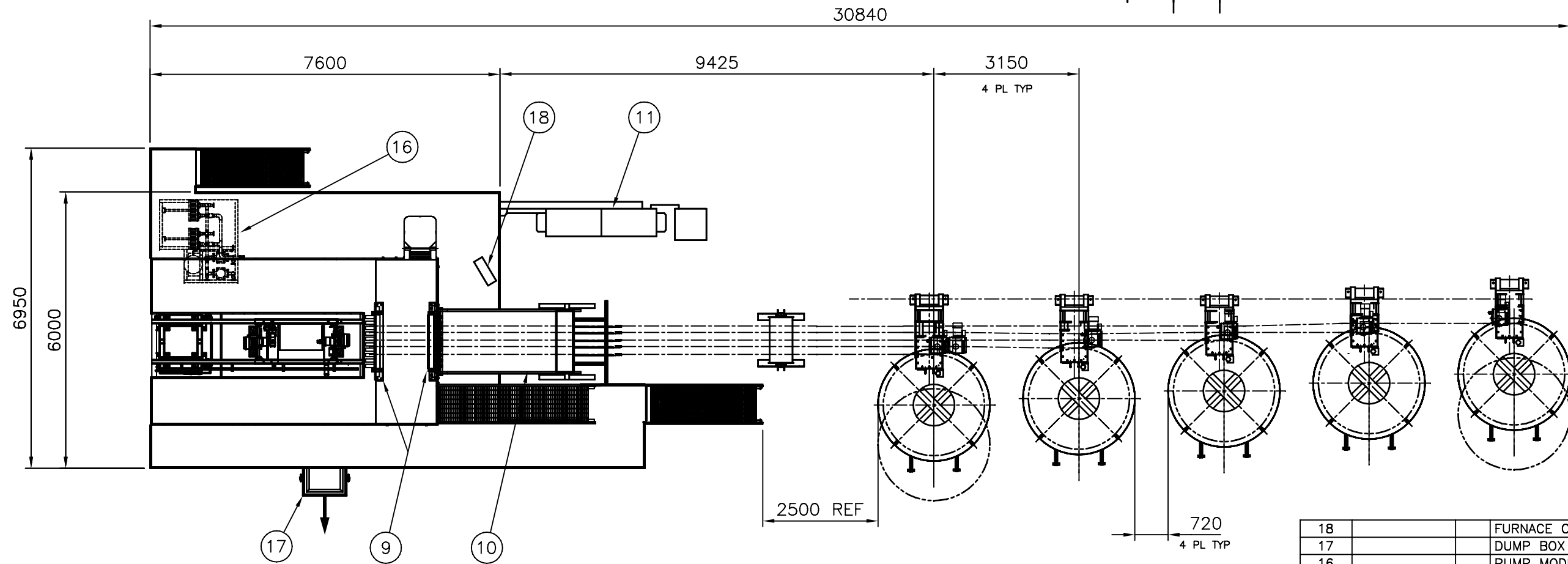


ISSUE	ECN	CHANGE	DATE	BY
--	--	----	--	--



18			FURNACE CONTROL CONSOLE
17			DUMP BOX
16			PUMP MODULE
15			COILER - FOR 2200MM O/D COILS
14			ROD SUPPORT DRUM
13			ROD LOOP CONTROL
12			TRANSFORMER
11			ELECTRICAL CONTROLS
10			ROD RAMP
9			ROD GUIDANCE
8			UPPER PLATFORM
7			WITHDRAWAL UNIT
6			CATHODE TILT TABLE
5			CATHODE SUPPORT FRAME
4			CATHODE FEED
3			CATHODE STACK BIN
2			PLATFORM
1			FURNACE
DETAIL	PART NO.	QTY	DESCRIPTION

rautomead
 © THIS DRAWING IS THE PROPERTY OF RAUTOMEAD LIMITED. IT MUST NOT BE REPRODUCED IN ANY WAY WITHOUT PERMISSION. COPIES OF THIS DRAWING MUST BE RETURNED UPON REQUEST.

MATERIAL:	WEIGHT:	DRAWN BY	BHA
FINISH :		DATE	12/01/10
		SCALE	1:100
GENERAL TOLERANCE		DIMENSIONS IN mm	USED ON
			SIMILAR TO

TITLE RS3000/5 - CuMg COPPER MAGNESIUM ALLOY CASTING MACHINE
 RD****-** RD18675-1

DO NOT SCALE
 DWG No RD19650-1
 SHEET 1 OF 1